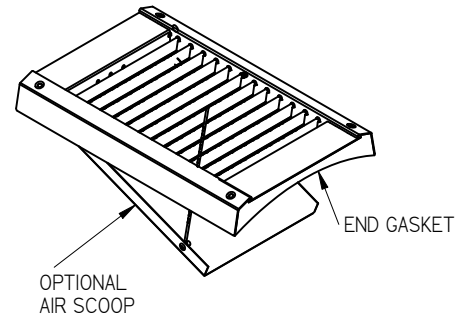
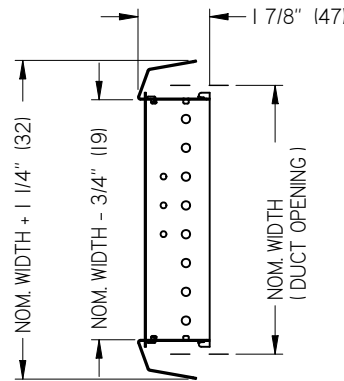
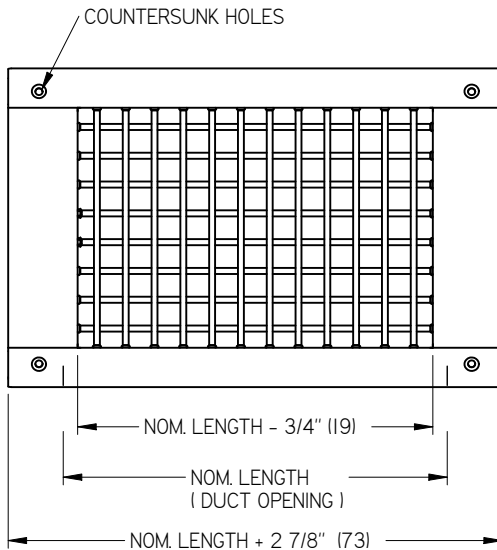
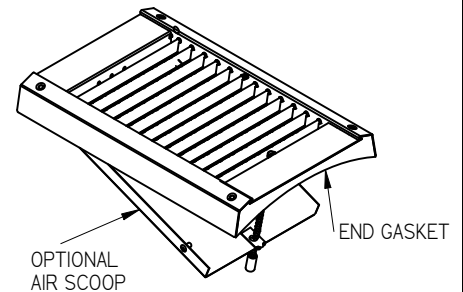


SDG SPIRAL DUCT GRILLE



AIR SCOOP (ROD OPERATOR)



AIR SCOOP (CABLE OPERATOR)

RECOMMENDED SDG SIZE FOR SPECIFIED DUCT DIAMETER		
DUCT SIZE (DIAMETER)	MINIMUM NOM. WIDTH SIZE	MAXIMUM NOM. WIDTH SIZE
8" - 13"	-	4"
14" - 21"	4"	6"
22" - 31"	4"	8"
32" - 41"	4"	10"
42" - OVER	4"	12"

DAMPER OPTIONS:

- AS: AIR SCOOP (ROD OPERATOR)
- ASC: AIR SCOOP (CABLE OPERATOR)
- 3: VCS3 COATED STEEL OPPOSED BLADE DAMPER

NOTES:

- INTENDED FOR USE IN SPIRAL OR ROUND DUCT APPLICATIONS (MINIMUM DUCT SIZE 8" (203))
- MINIMUM NOM. LENGTH IS 10" (254)
- MAXIMUM NOM. LENGTH IS 36" (914)
- MULLIONS ARE USED WHEN BLADE LENGTH EXCEEDS 24"
- AVAILABLE SIZE IN 1" INCREMENTS
- 3/4" BLADE SPACING
- OPEN CELL FOAM INSULATION PROVIDES A TIGHT SEAL AROUND THE GRILLE OPENING IN ANY ROUND DUCT (GREY STANDARD)
- OPTIONAL AIR-SCOOP AVAILABLE
- FACTORY TOLERANCE +/- 1/32" (1)
- GALVANIZED UNITS ARE MILL FINISH.
- STEEL AND GALVANIZED MODELS COME WITH GALVANIZED SCOOP.
- ALUMINUM MODEL COMES WITH MILL FINISH ALUMINUM SCOOP.

BLADE ORIENTATION - FRONT SET:

- S PARALLEL TO SHORT DIM
- L PARALLEL TO LONG DIM

END GASKET COLOR OPTIONS:

- GREY WHITE BLACK

MATERIAL:

- ST STEEL FRAME AND BLADES
- GV GALVANIZED STEEL FRAME AND BLADES
- AL ALUMINUM FRAME AND BLADES

FINISH:

- B12 WHITE (ST & AL) (OTHER FINISHES AVAILABLE)
- GV MILL FINISH

ALL METRIC DIMENSIONS () ARE SOFT CONVERTED. IMPERIAL DIMENSIONS ARE CONVERTED TO METRIC AND ROUNDED TO THE NEAREST MILLIMETER.

PROJECT:		price
ENGINEER:		
CUSTOMER:		245808
SUBMITTAL DATE:		DEC 2012
SPEC. SYMBOL:		SDG SPIRAL DUCT GRILLE